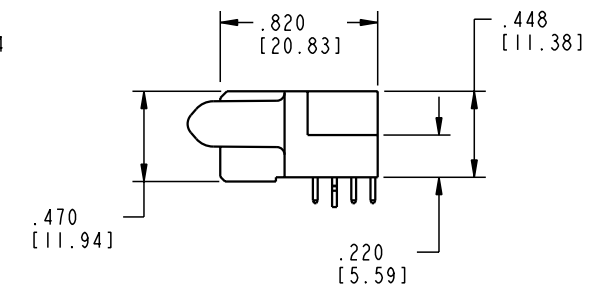
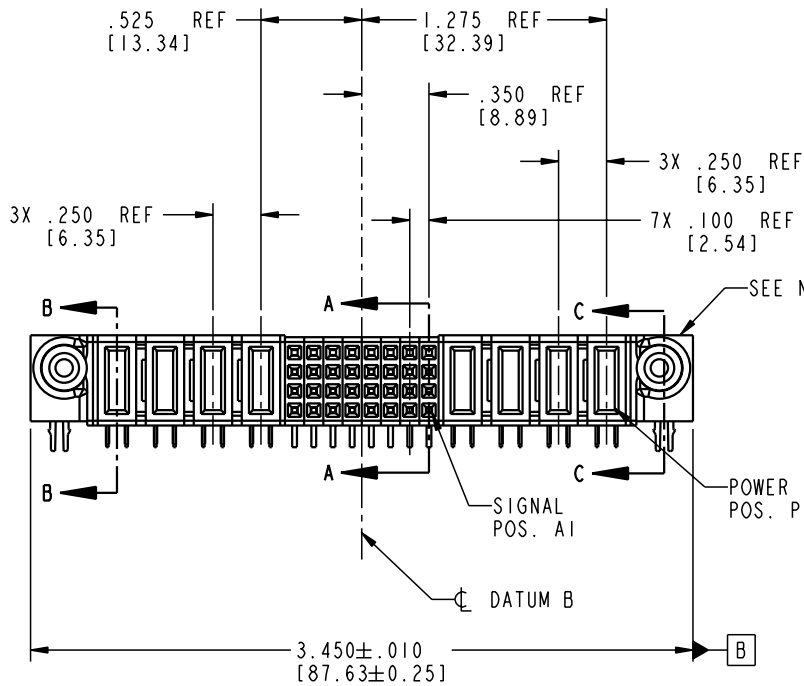
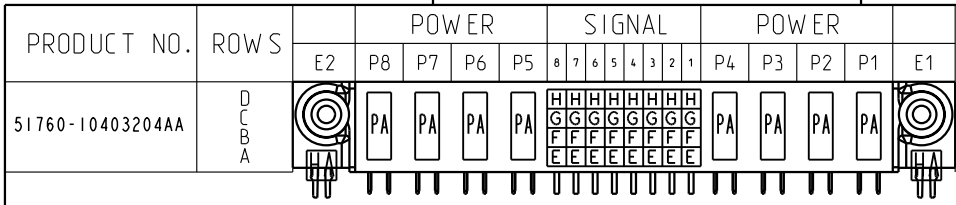


Tous droits strictement réservés. Reproduction ou communication o des liens interdite sous quelque forme que ce soit sans autorisation écrite du propriétaire. Propriété de c FCI. Droits de reproduction FCI.

All rights strictly reserved. Reproduction or issue to third parties in any form whenever is not permitted without written authority from the proprietor. Property of FCI. Copyright FCI.



CODE	DIM "M" MATING LENGTH	CONTACT TYPE
E	N/A [N/A]	SIGNAL
F	N/A [N/A]	SIGNAL
G	N/A [N/A]	SIGNAL
H	N/A [N/A]	SIGNAL
PA	.042 [1.07]	POWER
HA	N/A [N/A]	HOLD-DOWN

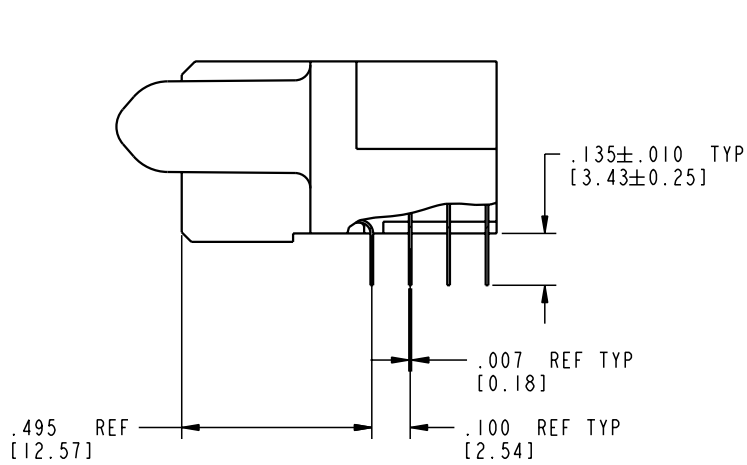
mat'l code SEE NOTE 2				tolerances unless otherwise specified			CUSTOMER		 www.fciconnect.com		
ltr	ecn no.	dr	date	linear	.XX ± .01/0.X ± 0.3		COPY		title		
A	V03-0010	TAB	01/07/03		.XXX ± .005/0.XX ± 0.13		projection		4P + 32S + 4P		
				angles	.XXX ± .0020/0.XX ± 0.051				R/A SOLDER RECEPTACLE		
				dr	T. BRUNGARD	01/07/03	INCH/MM		product family		
				enr	M. MOSTOLLER	01/07/03			PwrBlade		
				chr	M. MOSTOLLER	01/07/03	scale		code		
				appd	M. MOSTOLLER	01/07/03	1:1		213		
sheet index		revision sheet		A	A	A	A	A		sheet of 4	
1		2		3	4			51760-10403204AA		1 of 4	

Pro/E 3 cage code 22526 4

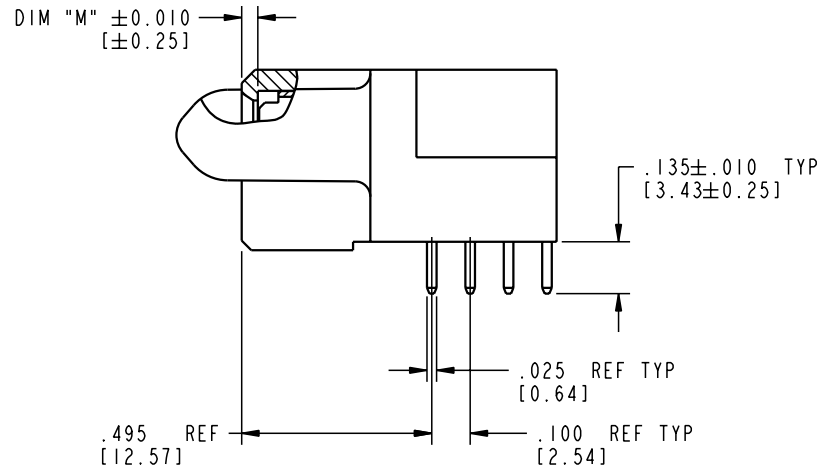
Tous droits strictement réservés. Reproduction ou communication o des tiers interdite sous quelque forme que ce soit sans autorisation écrite du propriétaire. Propriété de c FCI. Droits de reproduction FCI.

All rights strictly reserved. Reproduction or issue to third parties in any form, whatever is not permitted without written authority from the proprietor. Property of FCI. Copyright FCI.

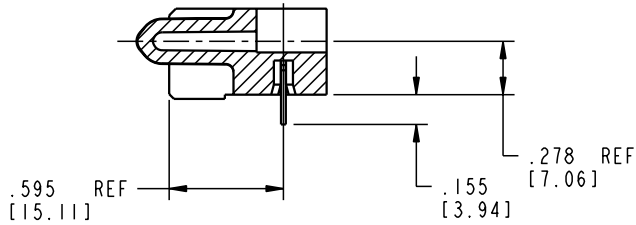
PRODUCT NUMBER  
51760-10403204AA





BROKEN-OUT SECTION A-A  
SCALE 2:1



BROKEN-OUT SECTION B-B  
SCALE 2:1



SECTION C-C

mat'l code				SEE NOTE 2		tolerances unless otherwise specified		CUSTOMER		 www.fciconnect.com	
ltr	ecm no.	dr	date	linear	.XX±.01/0.X±0.3		COPY		 title 4P + 32S + 4P R/A SOLDER RECEPTACLE		
A					.XXX±.005/0.XX±0.13		INCH/MM				
					angles	.XXX±.0020/0.XXX±0.051		scale 1:1		size	dwg no
sheet index		revision sheet		dr	T. BRUNGARD	01/07/03	A		51760-10403204AA		
				enr	M. MOSTOLLER	01/07/03					
				chr	M. MOSTOLLER	01/07/03					
				appd	M. MOSTOLLER	01/07/03					

cage code 22526

Pro/E

PDM: Rev:A

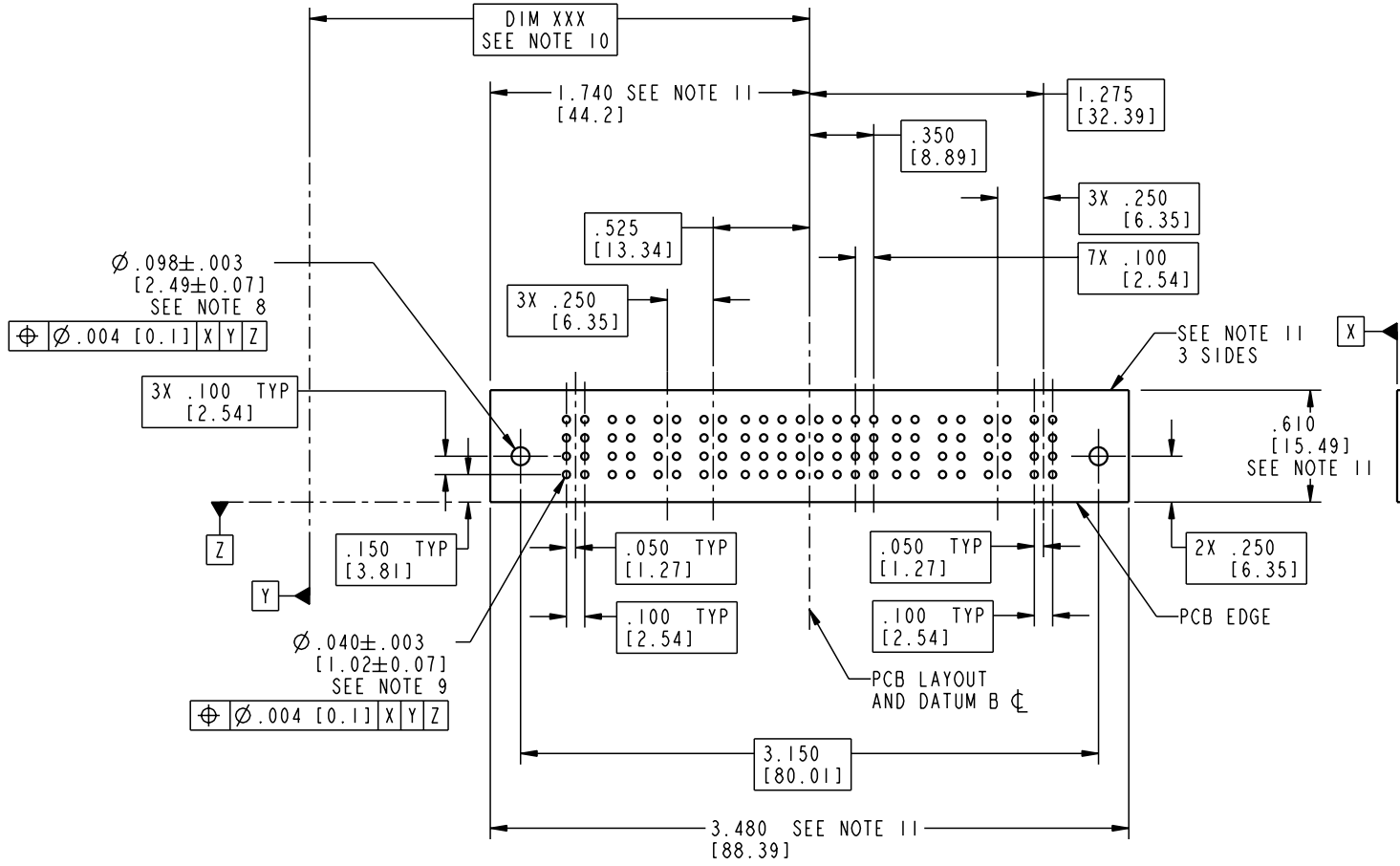
STATUS: Released


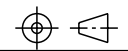
Printed: Aug 14, 2007

Tous droits strictement réservés. Reproduction ou communication o des tiers interdite sous quelque forme que ce soit sans autorisation écrite du propriétaire. Propriete de c FCI. Droits de reproduction FCI.

All rights strictly reserved. Reproduction or issue to third parties in any form whatever is not permitted without written authority from the proprietor. Property of FCI. Copyright FCI.

PRODUCT NUMBER  
51760-10403204AA



mat'l code SEE NOTE 2				tolerances unless otherwise specified		CUSTOMER		 www.fciconnect.com	
ltr	ecn no.	dr	date	linear	.XX±.01/0.X±0.3	COPY		title	
A				projection	.XXX±.005/0.XX±0.13			4P + 32S + 4P	
				angles	.XXX±.0020/0.XX±0.051	INCH/MM		R/A SOLDER RECEPTACLE	
		dr	T. BRUNGARD	01/07/03	scale		product family		code
		enr	M. MOSTOLLER	01/07/03	1:1		PwrBlade		213
		chr	M. MOSTOLLER	01/07/03			size		sheet
		appd	M. MOSTOLLER	01/07/03			A 51760-10403204AA		3 of 4
sheet index	revision sheet								

Pro/E

cage code 22526

Tous droits strictement réservés. Reproduction ou communication o des tiers interdite sous quelque forme que ce soit sans autorisation écrite du propriétaire. Propriete de c FCI. Droits de reproduction FCI.

**A**  
**FCI**

All rights strictly reserved. Reproduction or issue to third parties in any form, whatever is not permitted without written authority from the proprietor. Property of FCI. Copyright FCI.

**B**

PRODUCT NUMBER  
**51760-10403204AA**

NOTES:

1. DIMENSIONS AND TOLERANCES ARE IN ACCORDANCE WITH ASME Y14.5M, 1994 UNLESS OTHERWISE SPECIFIED.

CONNECTOR NOTES:

- 2. HOUSING MATERIAL: UL 94 V-0 GLASS FILLED  
HIGH-TEMP THERMOPLASTIC  
POWER CONTACT MATERIAL: COPPER ALLOY  
SIGNAL PIN MATERIAL: COPPER ALLOY
- 3. PLATING:  
SIGNAL PINS: 30u"/0.76um Au OVER 50u"/1.27um Ni  
POWER CONTACTS: 50u"/1.27um Ni UNDER ALL  
WITH 30u"/0.76um Au ON CONTACT AREA  
AND SnPb ON PCB INTERFACE
- 4. MANUFACTURER'S NAME, P/N, AND DATE CODE TO APPEAR ON THIS SURFACE.
- 5. PRODUCT SPECIFICATION GS-12-149.  
APPLICATION SPECIFICATION BUS-20-067.

6. PACKAGED IN TRAYS.

PCB NOTES:

- 7. ALL HOLE DIAMETERS ARE FINISHED HOLE SIZE.
- 8. MOUNTING HOLES, WHERE APPLICABLE, ARE UNPLATED.
- 9.  $\varnothing .0453 \pm .0010$  [1.151  $\pm$  0.025] DRILLED HOLES PLATED WITH .0003 [0.008] MIN SnPb OVER .001 [0.03] TO .003 [0.08] Cu PLATING TO ACHIEVE  $\varnothing .040 \pm .003$  [1.02  $\pm$  .07] HOLE.
- 10. "DIM XXX" TO BE DETERMINED BY THE CUSTOMER.
- 11. CONNECTOR KEEP-OUT ZONE.

mat'l code		SEE NOTE 2		tolerances unless otherwise specified		CUSTOMER		<b>A</b> <b>FCI</b> www.fciconnect.com	
ltr	ecr no.	dr	date	linear	.XX±.01/0.X±0.3	COPY		title	
A				linear	.XXX±.005/0.XX±0.13	projection		4P + 32S + 4P	
				angles	.XXX±.0020/0.XXX±0.051			R/A SOLDER RECEPTACLE	
				dr	T. BRUNGARD 01/07/03	INCH/MM		product family	
				enr	M. MOSTOLLER 01/07/03	scale		PwrBlade	
				chr	M. MOSTOLLER 01/07/03	1:1		code	
				appd	M. MOSTOLLER 01/07/03			213	
sheet index		revision sheet						size	
								dwg no	
								A 51760-10403204AA	
								sheet	
								4 of 4	

**B**

1 | 2

3 |

4

1 | 2

Pro/E

3 |

cage code 22526

4

**PDM: Rev:A**

STATUS: **Released**

Printed: Aug 14, 2007